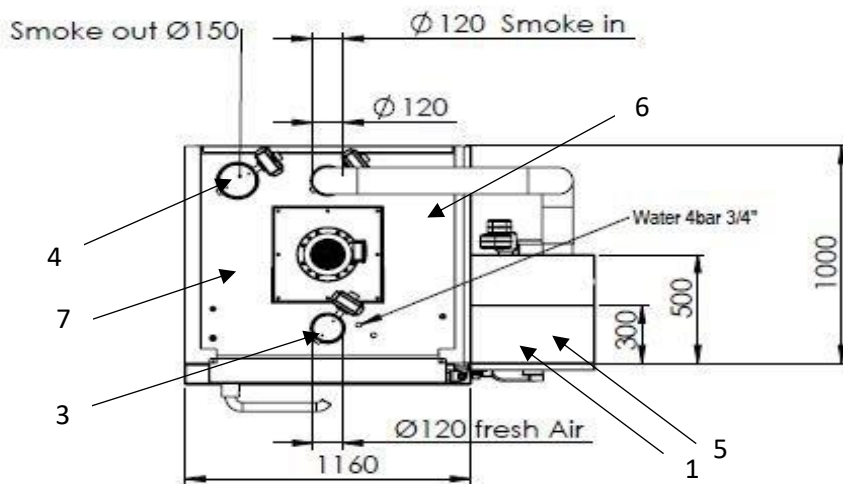
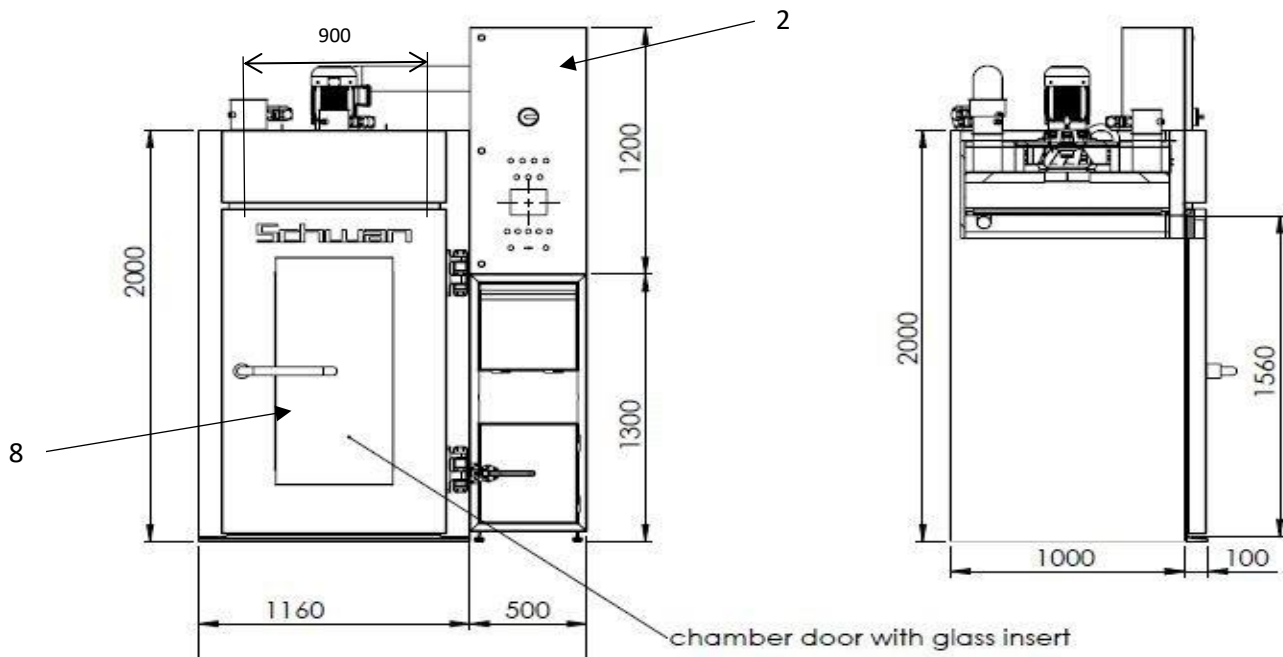




## data card

### systems for cooking and fumigation RAKOBAK-1100-E-80/P+RE2



#### accessories

- 1 electric main 200V 60Hz 22kW by customer
- 2 electric switch cabinet
- 3 fresh air inlet Ø120
- 4 smoke out Ø150
- 5 automatic smoke generator RE2
- 6 water by customer 4bar Ø3/4"-inside thread
- 7 pneumatic
- 8 glass door

- 1x trolley (carts) standard size  
850mm x 800mm x 1500mm stick length 800mm